



OUR VISION FOR DESIGN

The **brand-new Accurion²²⁶** dose calibrator was designed to provide **reliability** and **safety** for both patients and users. The choice of materials, the **precision of the electrometer** and the **guarantee of a long-lasting leak-free seal of the ionisation chamber**, have made it possible to achieve this high-performance objective.

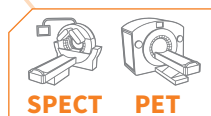
The **voice-controlled, user-friendly and intuitive application** provides users with safe and comfortable daily working conditions.



ACCURION²²⁶ DOSE CALIBRATOR

MEASURING DEVICE FOR LOW, MEDIUM AND HIGH ACTIVITIES

ALL ENERGIES

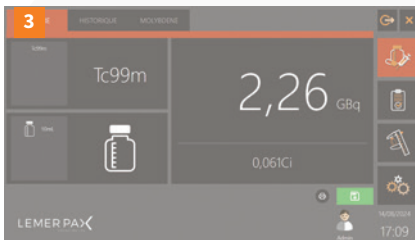
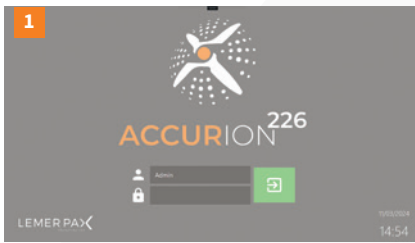




The **Accurion²²⁶** dose calibrator is a **measuring device** designed for the measurement of radioisotope activities of **all energies**. It can be integrated into manual and automatic preparation equipment such as shielded hot cells, benchtops or L-Block with an adaptable sample dipper and removable lining. Its **very broad energy range from 25 KeV to 3 MeV**, as well as its **theoretical measurement range from 4 kBq to 4 TBq (for ¹⁸F)**, allow for **extensive use in SPECT, PET and theranostic activities**. The **3 mm lead shield built into** the ionisation chamber for the standard model ensures that background noise is kept to a minimum. The optional pneumatic dipper raising system keeps hands out of the irradiation cone of the ionisation chamber.

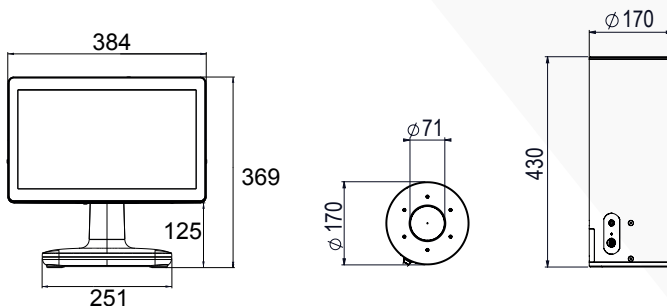
The **software** supplied with the dose calibrator, features all the necessary functionalities and is **easy to use for precise and accurate applications**. It mainly allows for **regulatory quality control, calibration of multiple radioisotopes, dose measurement** according to their packaging and **synchronisation with radiopharmacy software for improved traceability**.

APPLICATION



1 | The Main Menu of the application gives access to the Measurement, Quality Control, Utilities and Settings features **2** | The Quality Control Menu includes the automation of the daily regulatory checks of the dose calibrator through a dedicated programme **3** | The Measurement Menu is mainly used by the operator when preparing and measuring radiopharmaceuticals. The reliability and accuracy of the radioisotope measurement is ensured by the “reset” function, also present in the software, performed by the user before each quality control. **4** | The Utilities Menu allows monitoring of ionisation chamber information and operating curves in real time as well as performing calibrations of new radioisotopes and constancy sources.

EFFECTIVE DIMENSIONS (mm)



CHARACTERISTICS

General

External dimensions: Ø 170 x H 430 mm

Inner Ø: 52 mm

Weight: 13 kg

Standard equipment:

- Standard ionisation chamber
- 15-inch (16:9) touch screen
- Dymo label printer
- Integrated voice control

Measurable energy range: 25 KeV to 3 MeV

Measurement stability: ≥ 99%

Measurement accuracy: ≥ 95%

Filling gas: argon (99%)

Operating temperature: 10°C to 45°C

Linearity: < 5% (over the operating range of the dose calibrator)

Overall accuracy: +/- 2%

Response time : 1 to 5 s

Repeatability (relative standard deviation/mean): ≤ ± 0,2%

Reproducibility (relative standard deviation/mean): ≤ ± 1%

Shielding: 3 mm of lead

Option

Pneumatic dipper raising system "Posilift"

Package

Package dimensions: L 780 x D 480 x H 680 mm

Package weight (product without options): 25 kg

Ref.: 00056521